



NLS

CELLULAR COMMUNICATION

POLE RMG

ANTENNA MAST STRUCTURE, DEMOUNTABLE

Mast for cellular communication is the vertically mounted rod which is held in a vertical position by means of steel ropes fixed on the ground or on the roof of the building.

Application:

- For base station of mobile communication
- For antenna radio relay communication
- For television and radio antenna
- For navigation and radar communication system
- For amateur radio
- For network Wi-Fi
- For telemetry and system remote access
- For electricity and lighting

Technical parameters:

- The range of heights from 10 up to 60 meters
- The max weight of the payload – up to 800 kg
- The wind pressure – to IV wind region, according to SNiP 2.01.07-85*

Standard completeness:

- The supporting structure
- Mounting parts for ropes
- The rope with metal core
- Wheel fasteners
- Assembly instruction

Additional completeness:

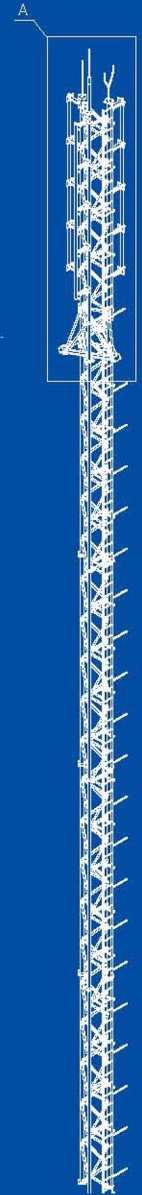
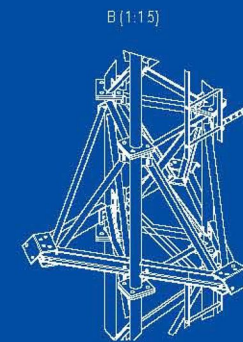
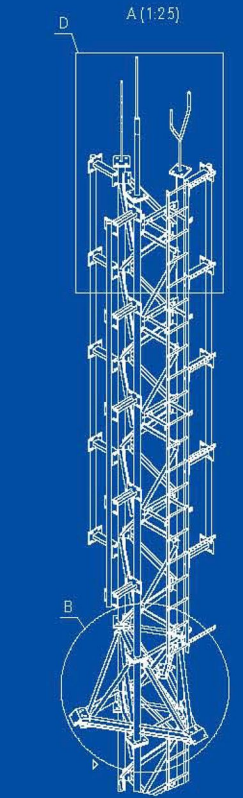
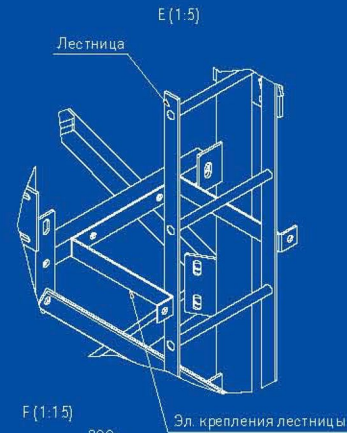
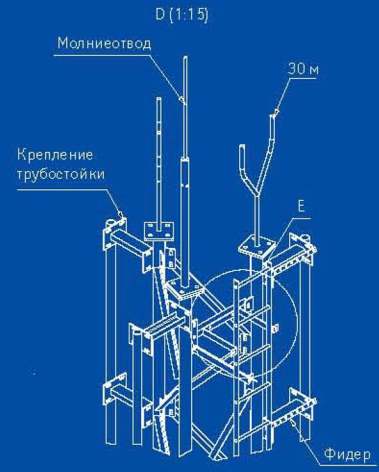
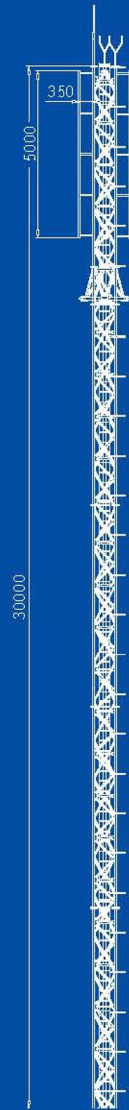
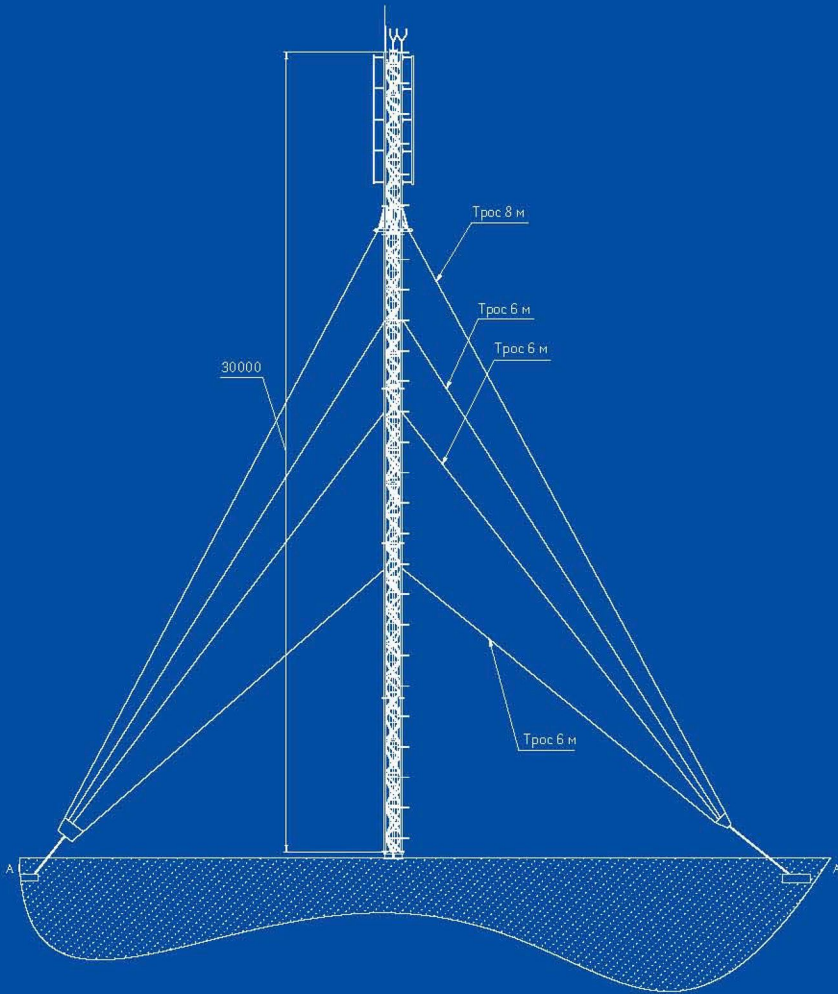
- Brackets for installation of equipment
- Security system on the staircase
- Anchoring details
- Lightning protection system
- Light fence system
- The system of protection against unauthorized access

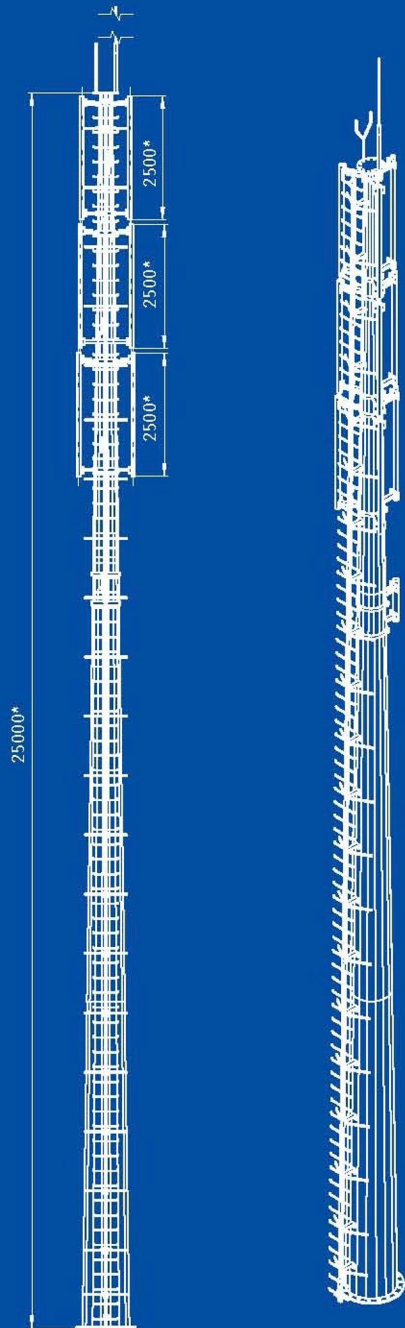
Poles are protected from corrosion by hot dip galvanizing (SNiP 2.03.11-85)

Equipment for installation:

- 1) Parabolic antenna radio relay station with the radio module unit
- 2) Panel antenna GSM
- 3) Panel antenna WCDMA
- 4) Radio module unit FHEA Flexi RRH
- 5) Radio module unit FRGP Flexi RF Module

Антенно-мачтовое сооружение разборное





POLE RMG

ANTENNA MAST STRUCTURE

Mast for cellular communication is designed for installation of radio repeaters to ensure stable coverage. Usage environment: I-V wind regions. The range of height is up to 50 meters. Mast includes several conical segments, as addition (by request) ladder cage and maintenance platform. The masts are made of steel by bending; the material depends of climatic area.

Equipment for installation:

- 1) Radio relay station (Antenna PPC)
- 2) The outdoor radio unit PPC
- 3) Base station Nokia Flexi Multiradio 900/1800
- 4) The outdoor radio module unit FHDA Flexi RRH 900/1800
- 5) Base station Nokia Flexi WCDMA 900/2100
- 6) Panel antenna WCDMA 900
- 7) The outdoor radio module unit FRGP Flexi RF Module 900/2100
- 8) The mount unit FM FA
- 9) Ladder

POLE RMT. TUBULAR RADIO MAST

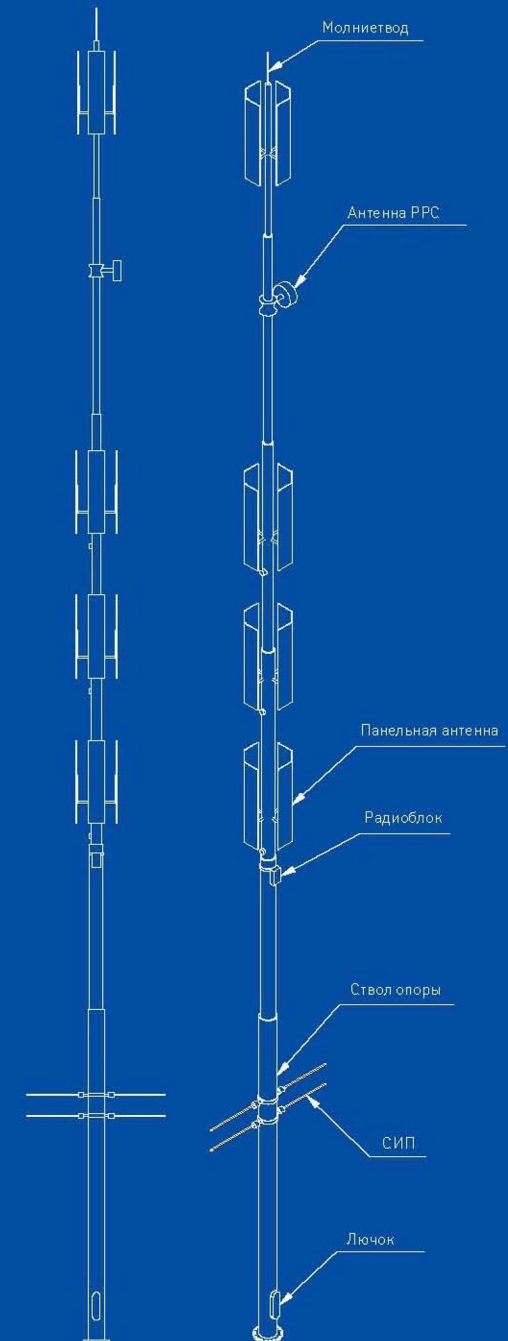
PROMOTIONAL ANTENNA MAST STRUCTURE

Mast is designed for installation of radio and lighting equipment. Mast includes several steel tubular segments and the lightning rod on the top. Poles are protected from corrosion by hot dip galvanizing.

On request, the mast can be painted in any color.

Equipment for installation:

- 1) Radio relay station (Antenna PPC)
- 2) The outdoor radio unit PPC
- 3) Base station Nokia Flexi Multiradio 900/1800
- 4) The outdoor radio module unit FHDA Flexi RRH 900/1800
- 5) Base station Nokia Flexi WCDMA 900/2100
- 6) Panel antenna WCDMA 900
- 7) The outdoor radio module unit FRGP Flexi RF Module 900/2100
- 8) The mount unit FM FA



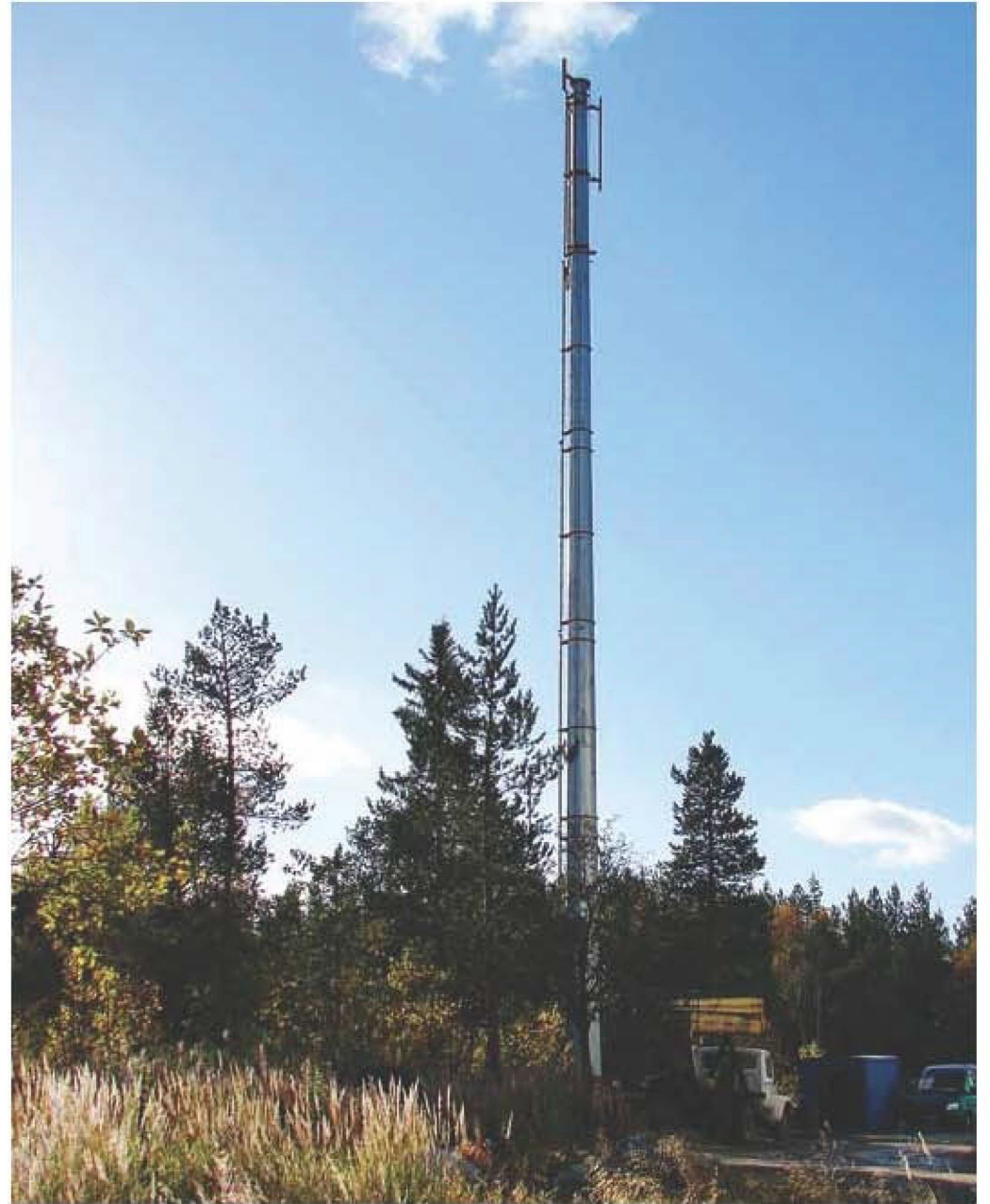












WWW.INNCOM.EU/NLS

