

# LED Flood Lighting

## SUMA Series

GigaTera<sup>®</sup>  
beyond light

SMA600 / SMA400

### Product Description

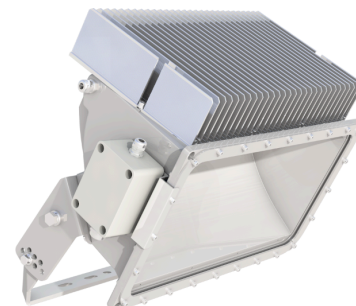
- Can send uniform light distribution even at long distance
- High luminous efficacy
- Tilting structure for optimized aiming (Upward : 10°, Downward : 20°)
- Dimming control using wireless and wired communication
- Outstanding cooling technology and durability

### Application

- Sporting Facilities
- Airplane Hangars
- Airport Aprons
- Parking Lots
- Harbour
- Yard

### Certification

- UL
- CE
- DLC
- FCC



[ SMA600, Wired type ]

### SUMA Series (Built-in Driver type) Specifications

Model Name	SMA600		SMA400		
Power Consumption	600W		400W		
CCT	5000K (4000K / 3000K available)				
Luminous Flux *	75,000 lm		50,000 lm		
Luminous Efficacy *	125 lm/W				
CRI	70 Ra				
LED Driving Current	750 mA		320 mA		
Light Distribution	Asymmetric Wide				
Input Voltage	200 ~ 277 Vac / 347 ~ 480 Vac				
Input Current	Max. 3.5 A(@200Vac)		Max. 2.5 A(@200Vac)		
	Max. 2.2 A(@347Vac)		Max. 1.6 A(@347Vac)		
Power Factor	≥0.9 at Max load				
Frequency	50 / 60 Hz				
Surge Protection	Line – Line 20kV, Line – FG 20kV				
Driver Type	Constant Current (CC)				
Fixture Manufacturer	GigaTera Lighting Inc. / Made in Korea				
Size	Control Type	Wireless	NEMA-7	Wireless	NEMA-7
	mm	517 x 439 x 375	517 x 433 x 375	517 x 442 x 371	517 x 436 x 371
	inch	20.4 x 17.3 x 14.8	20.4 x 17.0 x 14.8	20.4 x 17.4 x 14.6	20.4 x 17.2 x 14.6
Weight	19.3 kg / 42.5 lb		18.6 kg / 41.0 lb		
Material	Body	Cast Aluminum			
	Optic	AL Coating Reflector			
	Cover	Tempered Glass 4.0T (Clear)			
Finish	Powder Coating				
IP Rating	IP66				
Effective Projected Area	Front (ft <sup>2</sup> / m <sup>2</sup> )	-		1.650 / 0.153	
	Side (ft <sup>2</sup> / m <sup>2</sup> )	-		0.828 / 0.077	
Operating Temperature	-30°C ~ 50°C				
Option	Control	Wireless, NEMA-7			
	Mounting	Swivel Bracket			
Warranty	5 Years (12 hours usage per day)				

\* Tolerance : ± 10%

# LED Flood Lighting

## SUMA Series

SMA600 / SMA400

### SUMA Series (Remote Driver type) Specifications

<b>Model Name</b>	<b>SMA600</b>	<b>SMA400</b>	
<b>Power Consumption</b>	<b>600W</b>	<b>400W</b>	
<b>CCT</b>	5000K (4000K / 3000K available)		
<b>Luminous Flux *</b>	75,000 lm	50,000 lm	
<b>Luminous Efficacy *</b>	125 lm/W		
<b>CRI</b>	70 Ra		
<b>LED Driving Current</b>	750 mA	320 mA	
<b>Light Distribution</b>	Asymmetric Wide		
<b>Input Voltage</b>	DC100V (through RED)		
<b>Fixture Manufacturer</b>	GigaTera Lighting Inc. / Made in Korea / Made in Vietnam		
<b>Size</b>	<b>mm</b>	517 x 429 x 375	517 x 381 x 371
	<b>inch</b>	20.4 x 16.9 x 14.8	20.4 x 15.0 x 14.6
<b>Weight</b>	13.5 kg / 29.8 lb		12.5 kg / 27.6 lb
<b>Material</b>	<b>Body</b>	Cast Aluminum	
	<b>Optic</b>	AL Coating Reflector	
	<b>Cover</b>	Tempered Glass 4.0T (Clear)	
<b>Finish</b>	Powder Coating		
<b>IP Rating</b>	IP66		
<b>Effective Projected Area</b>	<b>Front (ft<sup>2</sup> / m<sup>2</sup>)</b>	1.320 / 0.123	1.300 / 0.120
	<b>Side (ft<sup>2</sup> / m<sup>2</sup>)</b>	0.665 / 0.062	0.655 / 0.060
<b>Operating Temperature</b>	-30°C ~ 50°C		
<b>Option</b>	<b>Mounting</b>	Swivel Bracket	
<b>Warranty</b>	5 Years (12 hours usage per day)		

\* Tolerance : ± 10%

### Remote Driver Specifications

<b>Model Name</b>	<b>RED1K2</b>	<b>RED800</b>
<b>Power Consumption</b>	<b>1,200W</b>	<b>800W</b>
<b>Compatible Model</b>	SMA600 x 2ea	SMA400 x 2ea
<b>Input Voltage</b>	200 ~ 277 Vac / 347 ~ 480 Vac	
<b>Output Voltage</b>	DC100V	
<b>Input Current</b>	Max. 7.6A (@200Vac)	Max. 5.0A (@200Vac)
	Max. 4.4A (@347Vac)	Max. 2.9A (@347Vac)
<b>Power Factor</b>	≥0.9 at Max load	
<b>Frequency</b>	50 / 60 Hz	
<b>Surge Protection</b>	Line – Line 20kV, Line – FG 20kV	
<b>Driver Type</b>	Constant Current (CC)	
<b>Fixture Manufacturer</b>	GigaTera Lighting Inc. / Made in Korea / Made in Vietnam	
<b>Weight</b>	13.0 kg / 28.7 lb (Include IP Box : 20 kg / 44.1 lb)	
<b>IP Rating</b>	IP66 (When IP box applied)	
<b>Operating Temperature</b>	-30°C ~ 50°C	
<b>Option</b>	<b>Control</b>	Wired (RS-485, DMX-512)
<b>Warranty</b>	5 Years (12 hours usage per day)	




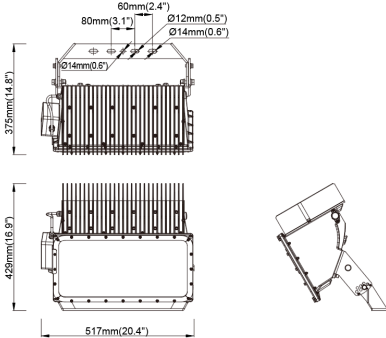
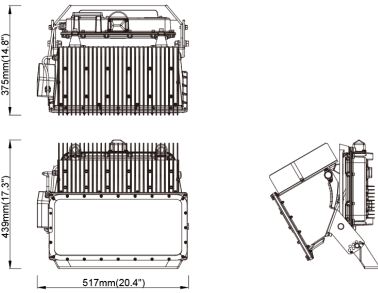
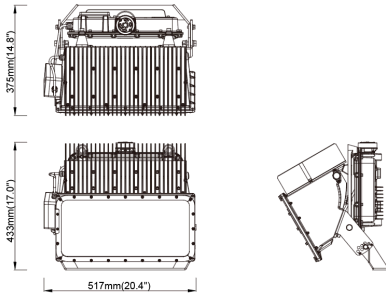
\* Tolerance : ± 10%

# LED Flood Lighting


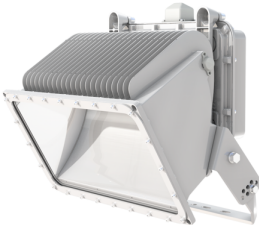
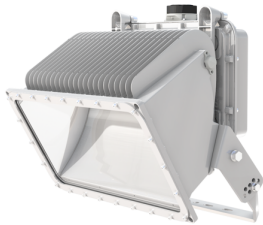
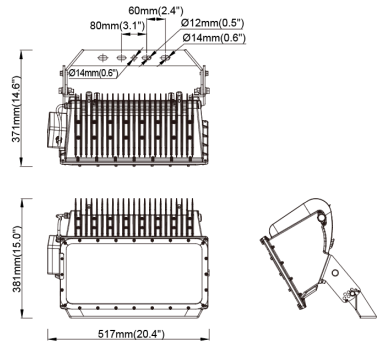
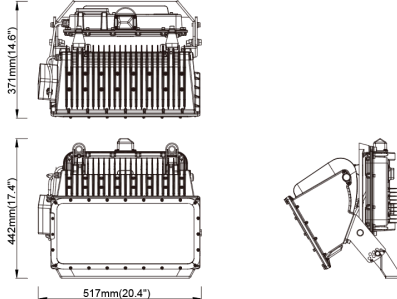
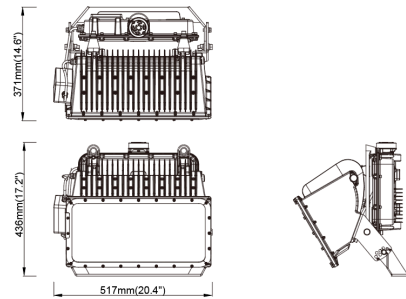
## SUMA Series

SMA600 / SMA400

### SUMA 600W

Wired / Remote type		Wireless / Built-in type		NEMA-7 / Built-in type	
					
					
<b>Size</b>	517 x 429 x 375 (mm) 20.4 x 16.9 x 14.8 (inch)	<b>Size</b>	517 x 439 x 375 (mm) 20.4 x 17.3 x 14.8 (inch)	<b>Size</b>	517 x 433 x 375 (mm) 20.4 x 17.0 x 14.8 (inch)

### SUMA 400W

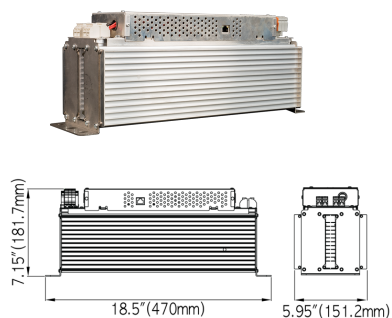
Wired / Remote type		Wireless / Built-in type		NEMA-7 / Built-in type	
					
					
<b>Size</b>	517 x 381 x 371 (mm) 20.4 x 15.0 x 14.6 (inch)	<b>Size</b>	517 x 442 x 371 (mm) 20.4 x 17.4 x 14.6 (inch)	<b>Size</b>	517 x 436 x 371 (mm) 20.4 x 17.2 x 14.6 (inch)

# LED Flood Lighting SUMA Series

SMA600 / SMA400

## Remote Driver Dimension

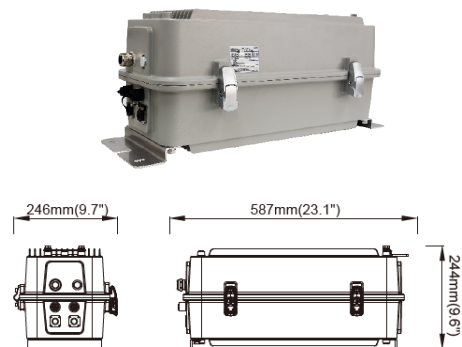
RED (Wired)



Size

470.0 x 151.2 x 181.7 (mm)  
18.5 x 6.0 x 7.2 (inch)

RED IP66 BOX (Optional)

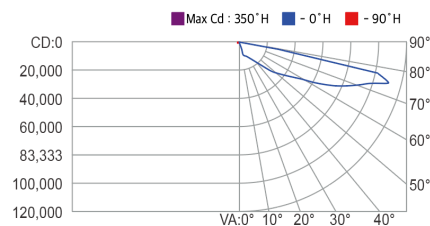


Size

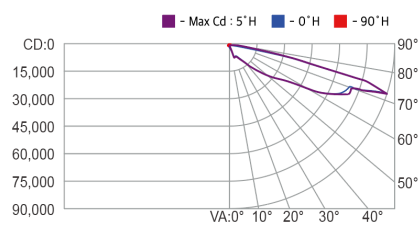
587.0 x 246.0 x 244.0 (mm)  
23.1 x 9.7 x 9.6 (inch)

## Photometry Data

SMA600 / 5000K



SMA400 / 5000K



## Control System (Optional)

<b>Wireless Control</b>	ZigBee
<b>Input Voltage</b>	15 Vdc
<b>Max. Power Consumption</b>	0.3W (@15 Vdc)
<b>Standard</b>	2.4 GHz – IEEE 802.15.4 (Compatible)
<b>Network</b>	Mesh
<b>RF Tx Power</b>	Max. +8 dBm (Typ. 5 dBm)
<b>Data Rate</b>	250 kbps
<b>Security</b>	128 bit AES Encryption Algorithms
<b>Antenna</b>	Omni Type, 2 dBi
<b>NEMA-7</b>	
<b>Mechanical</b>	7 Position : 3 Power Contacts + 4 dimming/Signal Contacts
<b>Electrical</b>	Power Contacts. 15A, Max.480Vac/dc Dimming Contacts. 0.10A, Max.10Vac/dc
<b>Model Name</b>	TE, 2213362-4(ANSI C136.41-2013 Dimming Receptacle) te.com


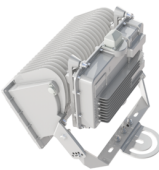

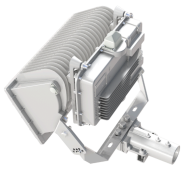
# LED Flood Lighting

## SUMA Series

SMA600 / SMA400

<b>Wired Control</b>	RS-485	DMX-512
<b>Input Voltage</b>	15 Vdc	
<b>Max. Power Consumption</b>	0.2W (@15 Vdc)	
<b>Communication Method</b>	RS-485	DMX-512
<b>Data Rate</b>	115,200 bps, 8-N-1	250,000 bps, 8-N-2

### Mount Bracket Installation Reference (Optional)

KETBKTL1ZNN001		KETBKTL3BG1012	
	Assembly Image		Assembly Image
			

### Ordering Information

### Ordering Code Usage : SMA400-V50WG1

<b>SMA</b>	000	-	O	OO	O	O
	Power Consumption		Input Voltage	CCT (K)	Control System	Fixture Color
	(Built-in Driver type) 600 = 600W 400 = 400W		H = 200 ~ 277Vac C = 347 ~ 480Vac	50 = 5000K 40 = 4000K 30 = 3000K	Z = ZigBee G = NEMA-7	G1 = Gray Powder
	(Remote Driver type) 600 = 600W 400 = 400W		V = 100Vdc		W = Wired(RS-485) M = Wired(DMX-512)	

※ For Remote Driver type

### Ordering Information

### Ordering Code Usage : RED1K2-HVW

<b>RED</b>	000	-	O	O	O
	Power Consumption		Input Voltage	Output Voltage	Control System
	1K2 = 1,200W 800 = 800W		K = 200 ~ 240Vac H = 200 ~ 277Vac C = 347 ~ 480Vac	V = 100Vdc	W = Wired(RS-485) M = Wired(DMX-512)