

LED Sports Flood Lighting

SUFA-A Series

GigaTera[®]
beyond light

SFA1K2 / SFA800

Product Description

- High luminous efficacy
- Ultimate 1 to 1 replacement for 2kW HID
- Glare free & No light pollution from Narrow beam reflector
- Flicker free proven upto 1,500 fps ultra slow-motion
- High CRI & R9 Content better visibility
- Tilt and rotate for easy aiming
- Linkage with wired control system even for event light control

Application

- Sports Stadium / Complex / Facilities
- Indoor Venues
- Port / Harbor

Certification

- UL
- CE
- FCC
- PSE
- RCM
- KC



SUFA-A Series Specifications

Model Name	SFA1K2			SFA800		
Power Consumption	1,200W (600W x 2modules)			800W (800W x 1modules)		
CCT	5000K (5700K / 4000K / 3000K available)					
Luminous Flux *	126,000 lm	138,000 lm	150,000 lm	84,000 lm	92,000 lm	100,000 lm
Luminous Efficacy *	105 lm/W	115 lm/W	125 lm/W	105 lm/W	115 lm/W	125 lm/W
CRI	90 Ra	80 Ra	70 Ra	90 Ra	80 Ra	70 Ra
LED Driving Current	1,000 mA					
Light Distribution	15° / 30° / 45°					
Input Voltage	DC100V (through RED)			DC200V (through BLU)		
Fixture Manufacturer	GigaTera Lighting Inc. (Made in Korea)					
Weight (Exclude Driver)	Horizontal type : 46.3 lb / 21.0 kg, Vertical type : 39.7 lb / 18.0 kg			28.6 lb / 13.0 kg		
Material	Body	Cast Aluminum				
	Optic	AL Coating Reflector				
	Cover	Tempered Glass 3.2T (Clear), Anti UV & Dust, Shatter Proof			Tempered Glass 4.0 T (Clear), Anti UV & Dust, Shatter Proof	
Finish	Powder Coating					
IP Rating	IP66					
Effective Projected Area	Front (ft ² / m ²)	Horizontal type : 2.330 / 0.216, Vertical type : 2.335 / 0.217			1.520 / 0.141	
	Side (ft ² / m ²)	Horizontal type : 0.809 / 0.075, Vertical type : 1.824 / 0.170			0.880 / 0.082	
Operating Temperature	-30°C ~ 50°C					
Warranty	5 Years (12 hours usage per day)					

* Tolerance : ± 10%

LED Sports Flood Lighting

SUFA-A Series

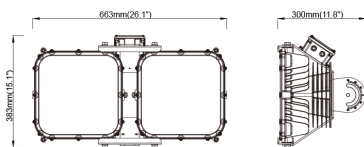
SFA1K2 / SFA800

Remote Driver Specifications

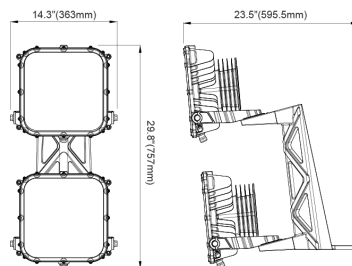
Model Name	RED1K2	BLU1K0
Power Consumption	1,300W	855W
Compatible Model	SFA1K2	SFA800
Input Voltage	200 ~ 277 Vac / 200 ~ 240 Vac / 347 ~ 480 Vac	
Output Voltage	DC100V	DC200V
Input Current	Max. 7.6A (@200 Vac)	Max. 5.0A (@200 Vac)
	Max. 4.4A (@347 Vac)	Max. 2.9A (@347 Vac)
Power Factor	≥0.9 at Max load	
Frequency	50 / 60 Hz	
Surge Protection	Line – Line 20kV, Line – FG 20kV	
Fixture Manufacturer	GigaTera Lighting Inc. (Made in Korea)	
Weight	Exclude IP box	28.7 lb / 13.0 kg
	Include IP box	44.1 lb / 20 kg
Option	Control	Wired (RS-485, DMX-512)
IP Rating	IP66 (When IP box applied)	IP66
Warranty	5 Years (12 hours usage per day)	

SUFA-A 1200W

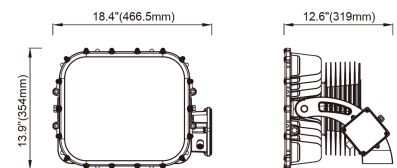
Horizontal type



Vertical type



SUFA-A 800W



Size

663.0 x 383.0 x 300.0 (mm)
26.1 x 15.1 x 11.8 (inch)

Size

363.0 x 757.0 x 595.5 (mm)
14.3 x 29.8 x 23.5 (inch)

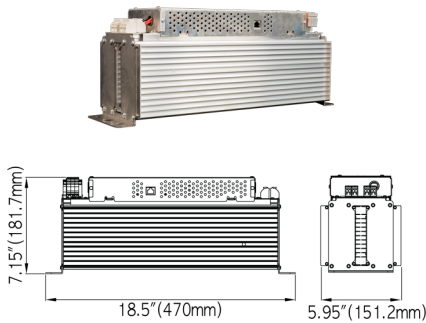
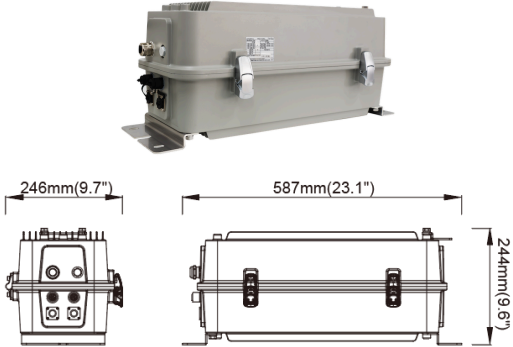
Size

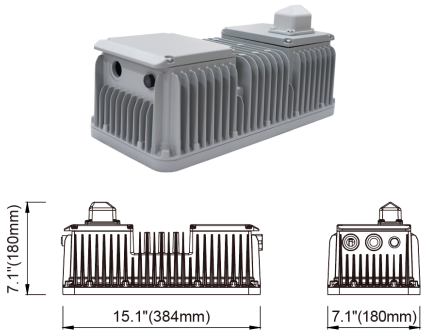
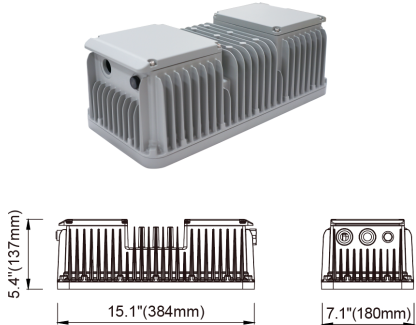
466.5 x 354.0 x 319.0 (mm)
18.4 x 13.9 x 12.6 (inch)

LED Sports Flood Lighting SUFA-A Series

SFA1K2 / SFA800

Remote Driver Dimension

RED (Wired)		RED IP66 BOX (Optional)	
			
Size	18.5 x 6.0 x 7.2 (inch) 470.0 x 151.2 x 181.7 (mm)	Size	23.1 x 9.7 x 9.6 (inch) 587.0 x 246.0 x 244.0 (mm)

BLU (Wireless)		BLU (Wired)	
			
Size	15.1 x 7.1 x 7.1 (inch) 384.0 x 180.0 x 180.0 (mm)	Size	15.1 x 7.1 x 5.4 (inch) 384.0 x 180.0 x 137.0 (mm)

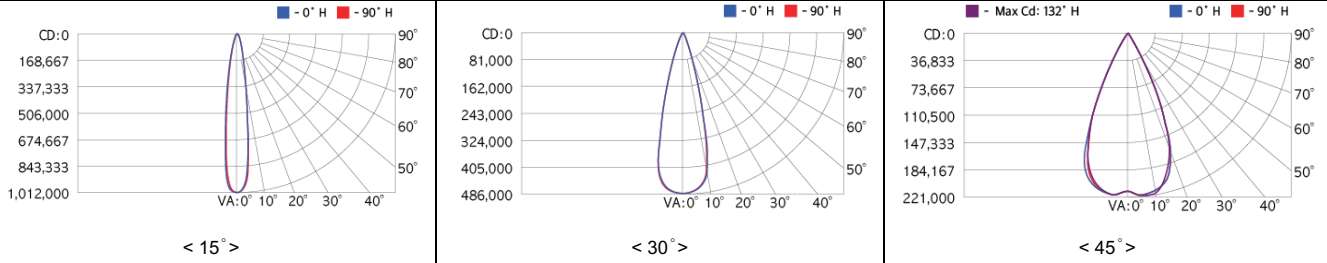
LED Sports Flood Lighting

SUFA-A Series

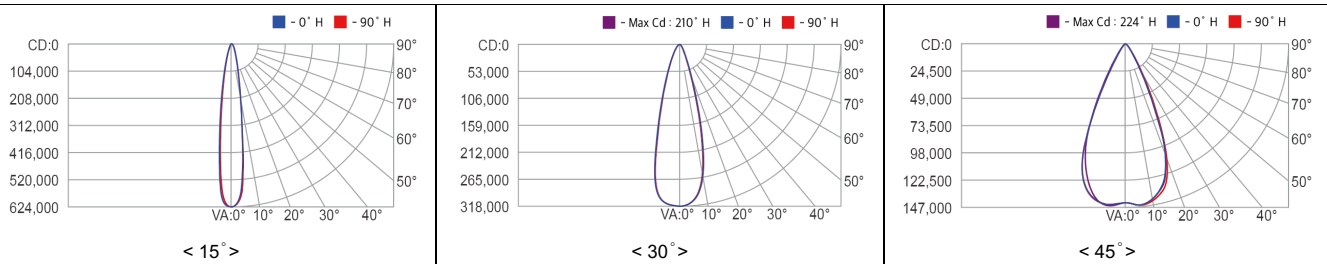
SFA1K2 / SFA800

Photometry Data

SFA1K2 / 5000K / 80Ra



SFA800 / 5000K / 80Ra



Control System (Optional)

Wireless Control		ZigBee	
Input Voltage		15 Vdc	
Max. Power Consumption		0.3W (@15 Vdc)	
Standard		2.4 GHz – IEEE 802.15.4 (Compatible)	
Network		Mesh	
RF Tx Power		Max. +8 dBm (Typ. 5 dBm)	
Data Rate		250 kbps	
Security		128 bit AES Encryption Algorithms	
Antenna		Omni Type, 2 dBi	
Wired Control		RS-485	DMX-512
Input Voltage		15 Vdc	
Max. Power Consumption		0.2W (@15 Vdc)	
Communication Method		RS-485	DMX-512
Data Rate		115,200 bps, 8-N-1	250,000 bps, 8-N-2
NEMA-7			
Mechanical		7 Position : 3 Power Contacts + 4 dimming/Signal Contacts	
Electrical		Power Contacts. 15A, Max.480Vac/dc	
		Dimming Contacts. 0.10A, Max.10Vac/dc	
Model Name		TE, 2213362-4(ANSI C136.41-2013 Dimming Receptacle)	
		te.com	

LED Sports Flood Lighting

SUFA-A Series

SFA1K2 / SFA800

Ordering Information			Ordering Code Usage : SFA1K2-V500157			
SFA	○○○	-	○	○○	○○○	○
	Power Consumption		Input Voltage	CCT (K)	Beam Angle	CRI
	1K2 = 1,200W		V = DC100V	57 = 5700K 50 = 5000K 40 = 4000K 30 = 3000K	045 = 45° 030 = 30° 015 = 15°	9 = 90 Ra 8 = 80 Ra 7 = 70 Ra
	800 = 800W		X = DC200V			

Ordering Information			Ordering Code Usage : RED1K2-HWV		
RED (for SFA1K2)	○○○	-	○	○	○
	Power Consumption		Input Voltage	Output Voltage	Control System
	1K2 = 1,300W		K = AC200 ~ 240V H = AC200 ~ 277V C = AC347 ~ 480V	V = DC100V	W = Wired(RS-485) M = Wired(DMX-512)

Ordering Information			Ordering Code Usage : BLU800-HXW		
BLU (for SFA800)	○○○	-	○	○	○
	Power Consumption		Input Voltage	Output Voltage	Control System
	1K0 = 855W		K = AC200 ~ 240V H = AC200 ~ 277V C = AC347 ~ 480V	X = DC 200V	W = Wired(RS-485) M = Wired(DMX-512) Z = Wireless(Zigbee)