

LED Flood Lighting

SUFA-H Series

GigaTera[®]
beyond light

SFH1K2 / SFH600

Product Description

- Ideal for sports facility lighting by cutting off the upward light such as stadium, football and soccer stadium
- Glare free from Narrow beam reflector
- Flicker free proven upto 1,500 fps super slow-motion(SSM)
- High CRI & R9 Content better visibility
- Dimming control using wired communication
- Tilt and rotate for easy aiming



Application

- Sports Complex
- Football Stadium
- Soccer Stadium
- Tennis Court
- Indoor Arenas

Certification

- UL
- KC

SUFA-H Series Specifications

Model Name	SFH1K2		SFH600	
Power Consumption	1,200W		600W	
CCT	5000K (5700K / 4000K / 3000K available)			
Luminous Flux *	120,000 lm	126,000 lm	60,000 lm	63,000 lm
Luminous Efficacy *	100 lm/W	105 lm/W	100 lm/W	105 lm/W
CRI	80 Ra	70 Ra	80 Ra	70 Ra
LED Driving Current	1,000 mA			
Light Distribution	20°, 30°			
Input Voltage	DC100V (through RED)			
Driver Type	Constant Current (CC)			
Fixture Manufacturer	GigaTera Lighting Inc. / Made in Korea			
Weight (Driver excluded)	26.0 kg / 57.3 lb		10.0 kg / 22.6 lb	
Material	Body	Cast Aluminum		
	Optic	AL Coating Reflector		
	Cover	Tempered Glass 4.0T (Clear), Anti UV & Dust, Shatter Proof		
Finish	Powder Coating			
IP Rating	IP66			
Effective Projected Area	Front (ft ² / m ²)	-	1.310 / 0.122	
	Side (ft ² / m ²)	-	0.712 / 0.066	
Operating Temperature	-30°C ~ 50°C			
Warranty	5 Years (12 hours usage per day)			

* Tolerance : ± 10%



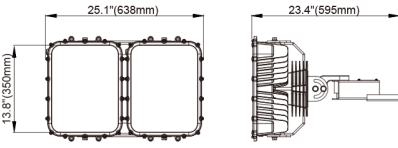
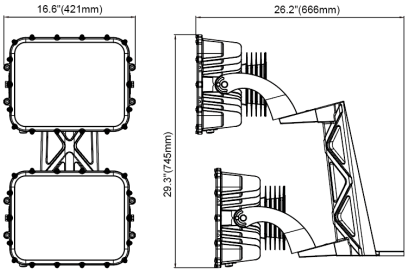
Remote Driver Specifications



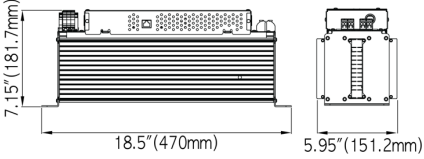
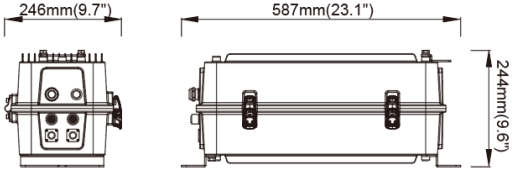
Model Name	RED1K2		RED600	
Power Consumption	1,300W		650W	
Compatible Model	SFH1K2		SFH600	
Input Voltage	200 ~ 277 Vac / 200 ~ 240 Vac / 347 ~ 480 Vac			
Output Voltage	DC100V			
Input Current	Max. 7.6A (@200 Vac)		Max. 3.8A (@200 Vac)	
	Max. 4.4A (@347 Vac)		Max. 2.2A (@347 Vac)	
Power Factor	≥0.9 at Max load			
Frequency	50 / 60 Hz			
Surge Protection	Line – Line 20kV, Line – FG 20kV			
Fixture Manufacturer	GigaTera Lighting Inc. (Made in Korea)			
Weight	Exclude IP box	13.0 kg / 28.7 lb	10.0 kg / 22.0 lb	
	Include IP box	20.0 kg / 44.1 lb	17.0 kg / 37.5 lb	
Option	Control	Wired (RS-485, DMX-512)		
IP Rating	IP66 (When IP box applied)			
Warranty	5 Years (12 hours usage per day)			

LED Flood Lighting

SUFA-H Series

SFH1K2 / SFH600

SUFA-H 1200W		SUFA-H 600W	
Horizontal type		Vertical type	
			
			
Size	638 x 350 x 595 (mm) 25.1 x 13.8 x 23.4 (inch)	Size	421.0 x 745.0 x 666.0 (mm) 16.6 x 29.3 x 26.2 (inch)
		Size	421.0 x 318.0 x 225.7 (mm) 16.6 x 12.5 x 8.9 (inch)

Remote Driver Dimension			
RED (Wired)	RED IP66 BOX (Optional)		
			
			
Size	470.0 x 151.2 x 181.7 (mm) 18.5 x 6.0 x 7.2 (inch)	Size	587.0 x 246.0 x 244.0 (mm) 23.1 x 9.7 x 9.6 (inch)

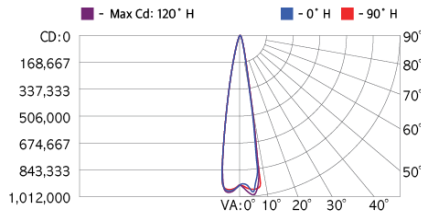
LED Flood Lighting

SUFA-H Series

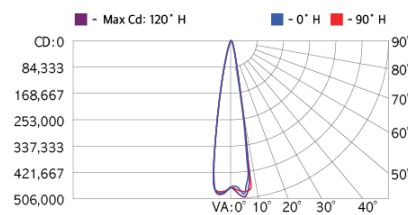
SFH1K2 / SFH600

Photometry Data

SFH1K2 / 5000K / 80Ra



SFH600 / 5000K / 80Ra



Control System (Optional)

Wired Control	RS-485	DMX-512
Input Voltage	15 Vdc	
Max. Power Consumption	0.2W (@15 Vdc)	
Communication Method	RS-485	DMX-512
Data Rate	115,200 bps, 8-N-1	250,000 bps, 8-N-2

Ordering Information

Ordering Code Usage : SFH1K2-V500307

SFH	000	-	0	00	000	0
	Power Consumption		Input Voltage	CCT (K)	Beam Angle	CRI
	1K2 = 1,200W 600 = 600W		V = DC100V	57 = 5700K 50 = 5000K 40 = 4000K 30 = 3000K	020 = 20° 030 = 30°	9 = 90 Ra 8 = 80 Ra 7 = 70 Ra

Ordering Information

Ordering Code Usage : RED1K2-HVW

RED	000	-	0	0	0
	Power Consumption		Input Voltage	Output Voltage	Control System
	1K2 = 1,300W 600 = 650W		K = AC200 ~ 240V H = AC200 ~ 277V C = AC347 ~ 480V	V = DC100V	W = Wired(RS-485) M = Wired(DMX-512)