

# LED Flood Lighting

## SUFA-X Series

GigaTera<sup>®</sup>  
beyond light

SFX1K2 / SFX1K0 / SFX600 / SFX500 / SFX200

### Product Description

- Best Technology to get high efficacy and less glare optic performance
- Glare free from Narrow beam reflector
- Flicker free proven upto 1,500 fps ultra slow-motion
- High CRI & R9 Content better visibility
- Linkage with wired and wireless control system even for event light control



### Application

- Sports Stadium
- Indoor Venues
- Port

### Certification

- UL / FCC
- DLC
- PSE
- KC

### SUFA-X Series Specifications




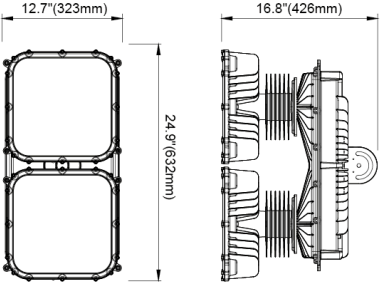
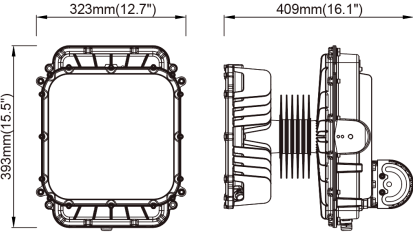
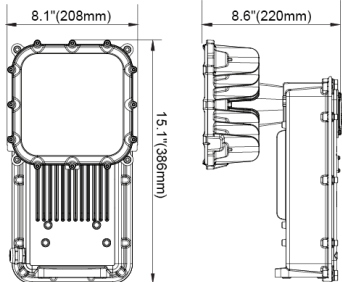
Model Name	SFX1K2		SFX1K0		SFX600		SFX500		SFX200		
Power Consumption	1200W		1000W		600W		500W		200W		
CCT	5000K (5700K / 4000K / 3000K available)										
Luminous Flux * (lm)	138,000	150,000	115,000	125,000	69,000	75,000	57,500	62,500	23,000	25,000	
Luminous Efficacy * (lm/W)	115	125	115	125	115	125	115	125	115	125	
CRI	80 Ra	70 Ra	80 Ra	70 Ra	80 Ra	70 Ra	80 Ra	70 Ra	80 Ra	70 Ra	
LED Driving Current	923 mA		769 mA		923 mA		769 mA		1000 mA		
Light Distribution	45° / 30° / 15°										
Input Voltage	200 ~ 277 Vac 347 ~ 480 Vac				200 ~ 277 Vac / 220 ~ 240 Vac 347 ~ 480 Vac				100 ~ 277 Vac 347 ~ 480 Vac		
Input Current	Max. 7.0A (@200 Vac)		Max. 6.0A (@200 Vac)		Max. 3.5A (@200 Vac)		Max. 3.0A (@200 Vac)		Max. 2.5A (@100 Vac)		
	Max. 4.4A (@347 Vac)		Max. 3.8A (@347 Vac)		Max. 2.2A (@347 Vac)		Max. 1.9A (@347 Vac)		Max. 0.75A (@347 Vac)		
Power Factor	≥0.9 at Max load										
Inrush Current	40A										
Frequency	50 / 60 Hz										
Surge Protection	Line – Line 20kV, Line – FG 20kV										
Driver Type	Constant Current (CC)										
Fixture Manufacturer	GigaTera Lighting Inc. / Made in Korea										
Size	inch	12.7 x 24.9 x 16.8				12.7 x 15.5 x 16.1				8.1 x 15.1 x 8.6	
	mm	323 x 632 x 426				323 x 393 x 409				208 x 386 x 220	
Weight (Driver include)	70.6 lb / 32.0 kg				36.6 lb / 16.6 kg				16.5 lb / 7.5 kg		
Material	Body	Cast Aluminum									
	Optic	AL Coating Reflector									
	Cover	Tempered Glass 3.2T (Clear), Anti UV & Dust, Shatter Proof									
Finish	Powder Coating										
IP Rating	IP66										
Effective Projected Area	Front (ft <sup>2</sup> / m <sup>2</sup> )	2.106 / 0.195				1.226 / 0.113				0.930 / 0.086	
	Side (ft <sup>2</sup> / m <sup>2</sup> )	0.990 / 0.092				1.056 / 0.098				0.632 / 0.058	
Operating Temperature	-30°C ~ 50°C										
Option	Control	Wireless (ZigBee) / Wired (RS-485, DMX-512)									
	Mounting	Swivel Bracket				-					
	Cover Protection	-				Stainless steel wire mesh for glass protection					
Warranty	5 Years (12 hours usage per day)										

\* Tolerance : ± 10%

# LED Flood Lighting

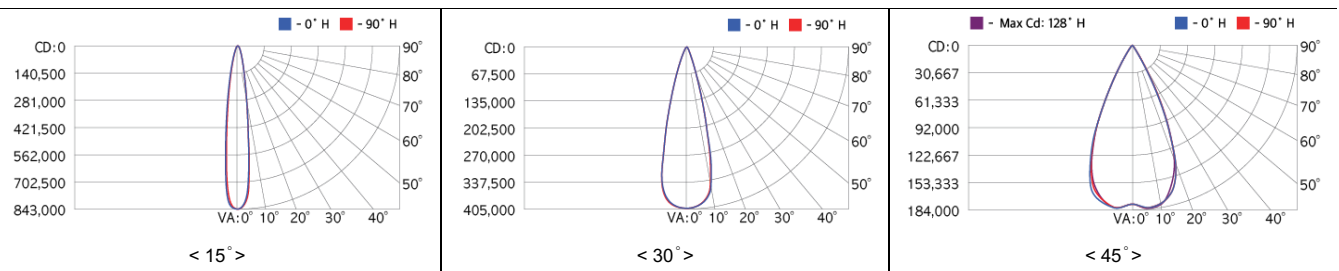
## SUFA-X Series

SFX1K2 / SFX1K0 / SFX600 / SFX500 / SFX200

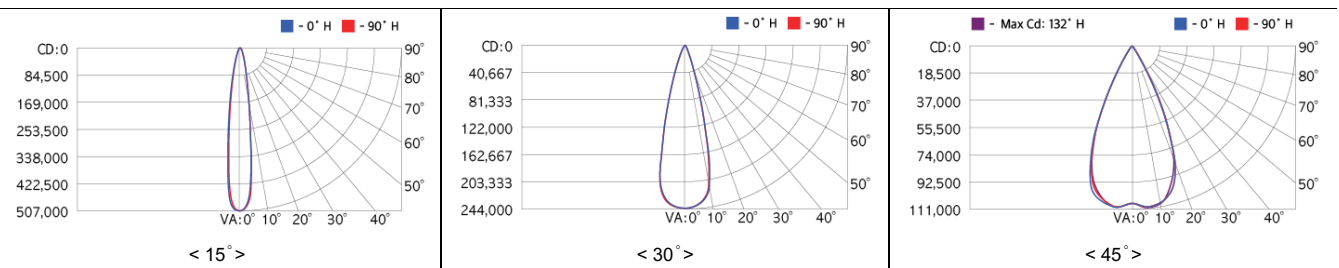
SUFA-X 1200W / 1000W		SUFA-X 600W / 500W		SUFA-X 200W	
					
					
<b>Size</b>	12.7 x 24.9 x 16.8 (inch) 323 x 632 x 426 (mm)	<b>Size</b>	12.7 x 15.5 x 16.1 (inch) 323 x 393 x 409 (mm)	<b>Size</b>	8.1 x 15.1 x 8.6 (inch) 208 x 386 x 220 (mm)

### Photometry Data

#### SFX1K0 / 5000K / 80Ra



#### SFX600 / 5000K / 80Ra

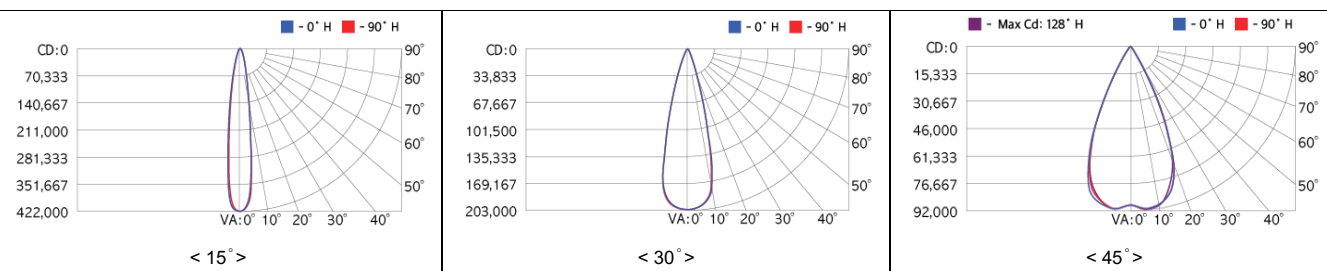


# LED Flood Lighting

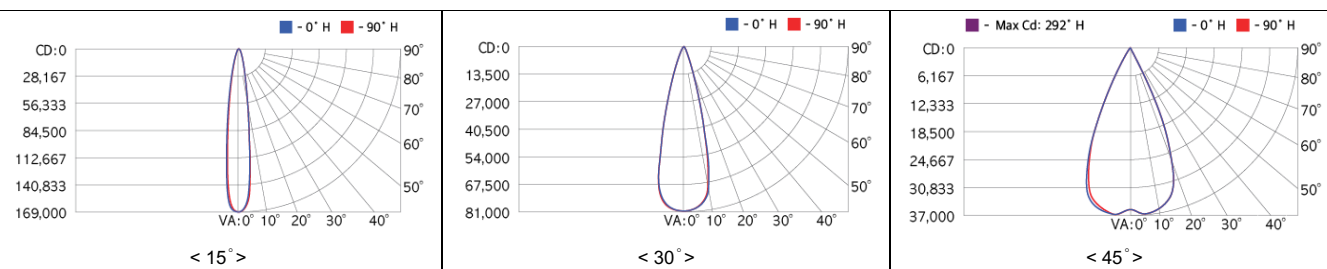
## SUFA-X Series

SFX1K2 / SFX1K0 / SFX600 / SFX500 / SFX200

### SFX500 / 5000K / 80Ra



### SFX200 / 5000K / 80Ra



### Control System (Optional)

ZigBee	Wireless Control	
Input Voltage	15 Vdc	
Max. Power Consumption	0.3W (@15 Vdc)	
Standard	2.4 GHz – IEEE 802.15.4 (Compatible)	
Network	Mesh	
RF Tx Power	Max. +8 dBm (Typ. 5 dBm)	
Data Rate	250 kbps	
Security	128 bit AES Encryption Algorithms	
Antenna	Omni Type, 2 dBi	
Wired Control	RS-485	DMX-512
Input Voltage	15 Vdc	
Max. Power Consumption	0.2W (@15 Vdc)	
Communication Method	RS-485	DMX-512
Data Rate	115,200 bps, 8-N-1	250,000 bps, 8-N-2

# LED Flood Lighting

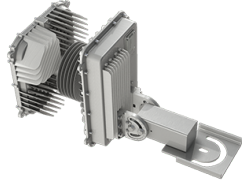
## SUFA-X Series

SFX1K2 / SFX1K0 / SFX600 / SFX500 / SFX200

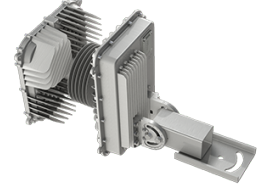
### Mount Bracket Installation Reference (Optional)

#### SFX600 / SFX500

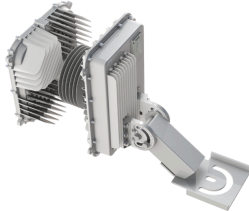
KETBKTLC13G1007



KMDLMBK010430



KETBKTLC13G1009

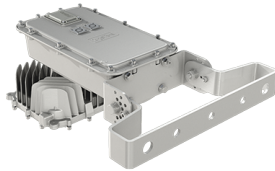


#### SFX200

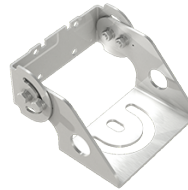
KETBKTLC13G1001



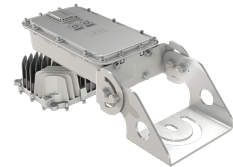
Swivel Bracket (Up:90° / Down: 90°)



KETBKTLC13G1006



Surface Mount Bracket



### Ordering Information

### Ordering Code Usage : SFX600-H500458N

SFX	000	-	0	00	000	0	0
	Power Consumption		Input Voltage	CCT (K)	Beam Angle	CRI	Control System
	<b>1K2</b> = 1200W <b>1K0</b> = 1000W <b>600</b> = 600W <b>500</b> = 500W <b>200</b> = 200W		<b>A</b> = 100 ~ 277V <b>C</b> = 347 ~ 480V <b>D</b> = 220 ~ 240V <b>H</b> = 200 ~ 277V	<b>57</b> = 5700K <b>50</b> = 5000K <b>40</b> = 4000K <b>30</b> = 3000K	<b>045</b> = 45° <b>030</b> = 30° <b>015</b> = 15°	<b>8</b> = 80 Ra <b>7</b> = 70 Ra	<b>Z</b> = Wireless (ZigBee) <b>W</b> = Wired (RS-485) <b>M</b> = Wired (DMX-512) <b>N</b> = None